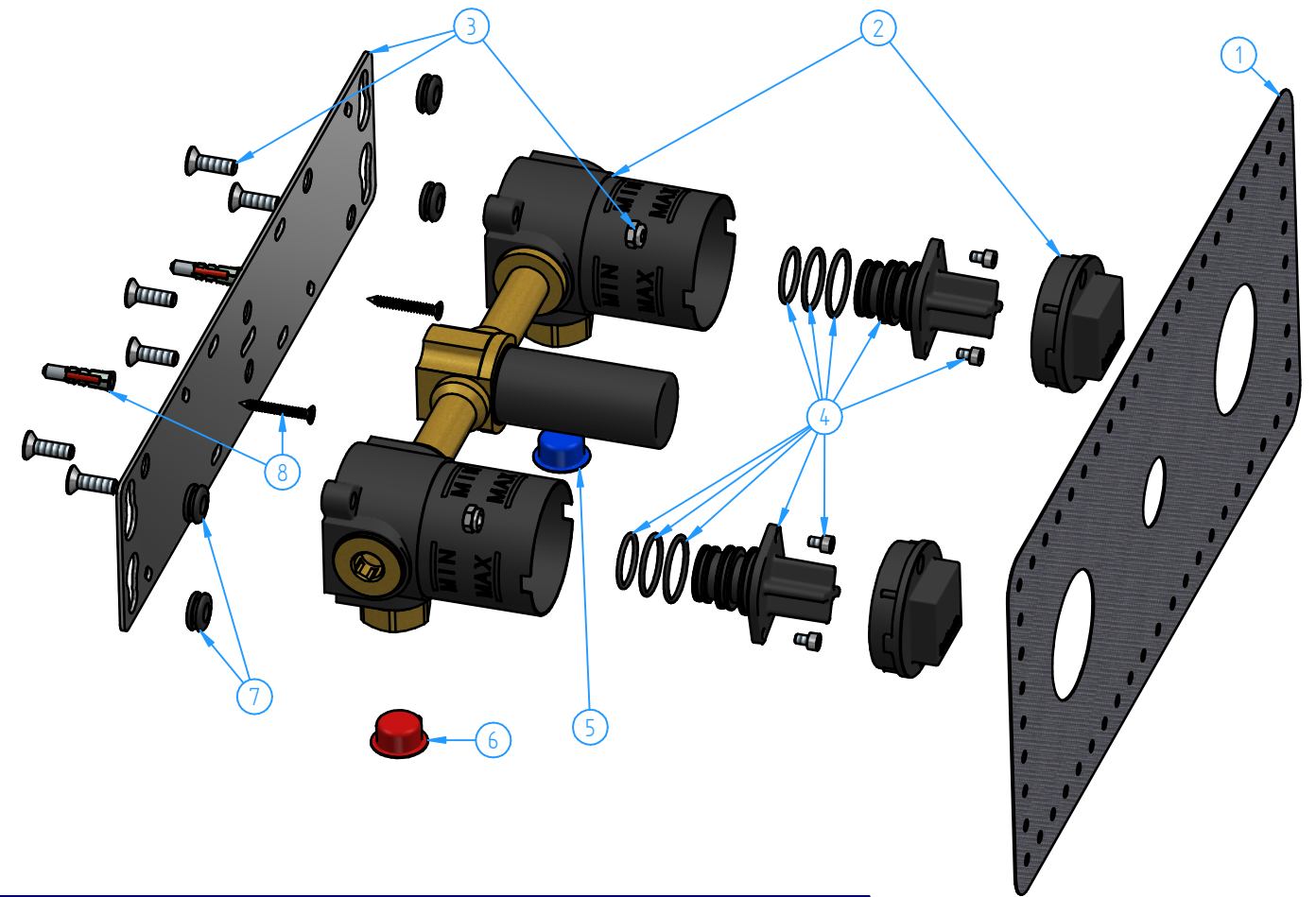
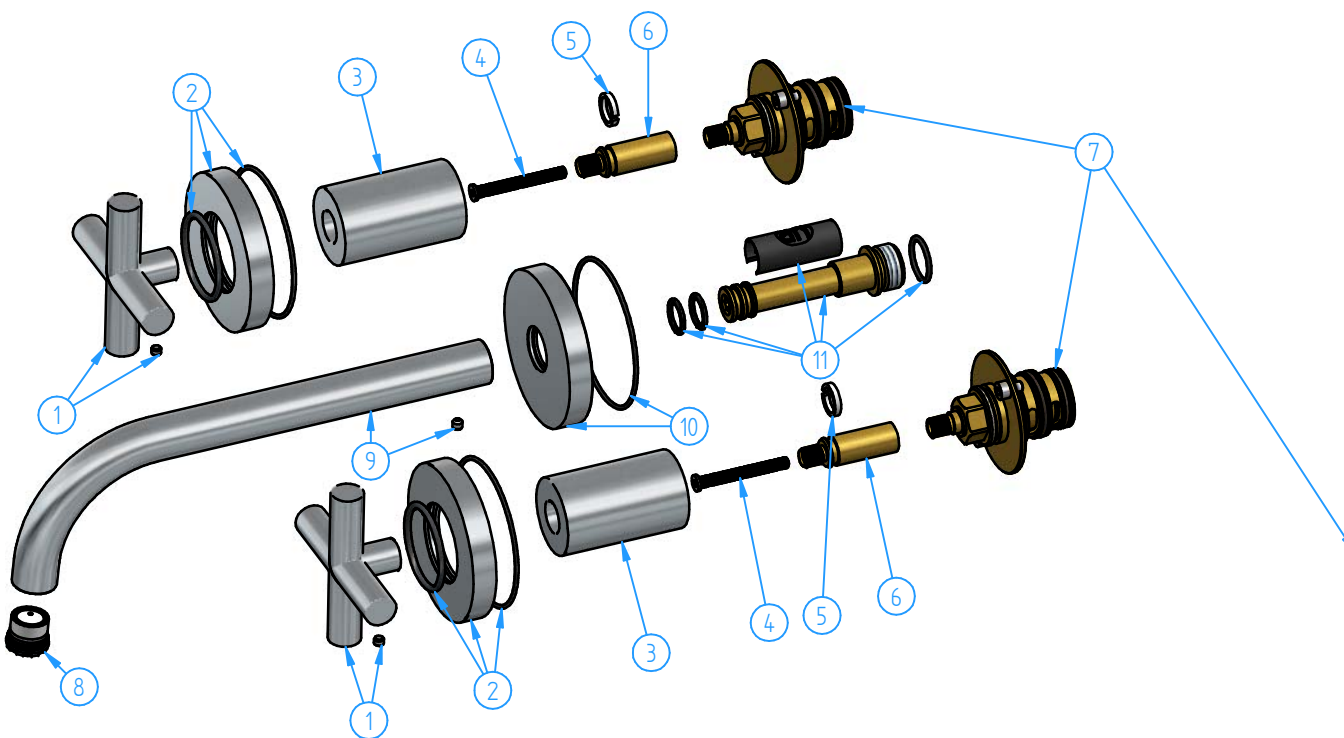


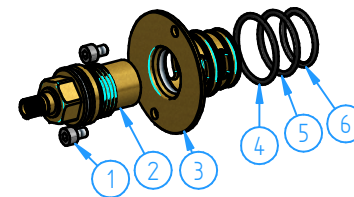
2	HBCB105T-00	Internal parts (for CB105T/C105T/GT105T)	1
1	C105TEXT-00	External parts for C105T	1
ID Nr	Code	Description	Pcs



8	HB105-005	Fixing kit	1
7	HB105-004	Shock/noise absorber set	1
6	HBCB105-21	Red plug	1
5	HBCB105-20	Blu plug	1
4	HBCB105-002	Plug set	2
3	HBCB105-003	Installation flange set	1
2	HBCB105T-004	Preassembled set for HBCB105T	1
1	HB131-02	Wall gasket	1
ID Nr	Code	Description	Pcs



11	AC105-005	Spout connection set	1
10	C105-004	Flange for spout set	1
9	C105-002	Spout set	1
8	CB003-002	Aerator M16,5x1 with flow regulator 1,5 gpm	1
7	C105-001	Headwork set	2
6	C005-09	Extension	2
5	C005-07	Anti-friction ring	2
4	C005-08	Screw M4x35	2
3	C005-02	Headwork cover	2
2	C105-003	Flange set for tap	2
1	C005-003	Handle set	2
ID Nr	Code	Description	Pcs



6	AR095-04	O.Ring 20x2	1
5	HBCB105-17	O.ring 23x2	1
4	HBCB105-18	O.ring 25x2	1
3	CB105T-01	Headwork body	1
2	A005-001	Headwork 90° DX	1
1	HBCB105-09	Screw M4x6	2
ID Nr	Code	Description	Pcs

		Sheet 1 of 3	
N°	REVIEW	Date	Scale 1:3
Description			Material
Concealed 3-hole washbasin mixer			Weight 0 kg
Code	Date of issue	Chamfers not quoted	Finishing
C105T-00	18/02/2026	0.5x45°	SM LU CR Grinding Polishing GN
<small>This drawing is property reserved of Hotbath Srl. Without express authorization, the copying, distribution and utilization of this document as well as the communication to others is prohibited.</small>			
			hotbath italian bathroomware