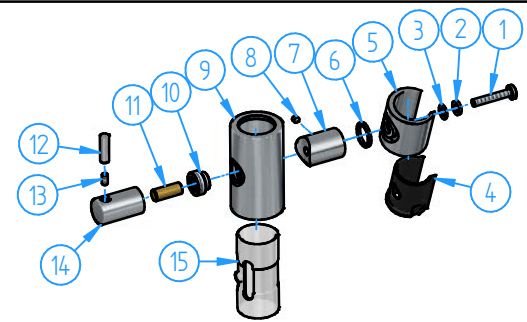
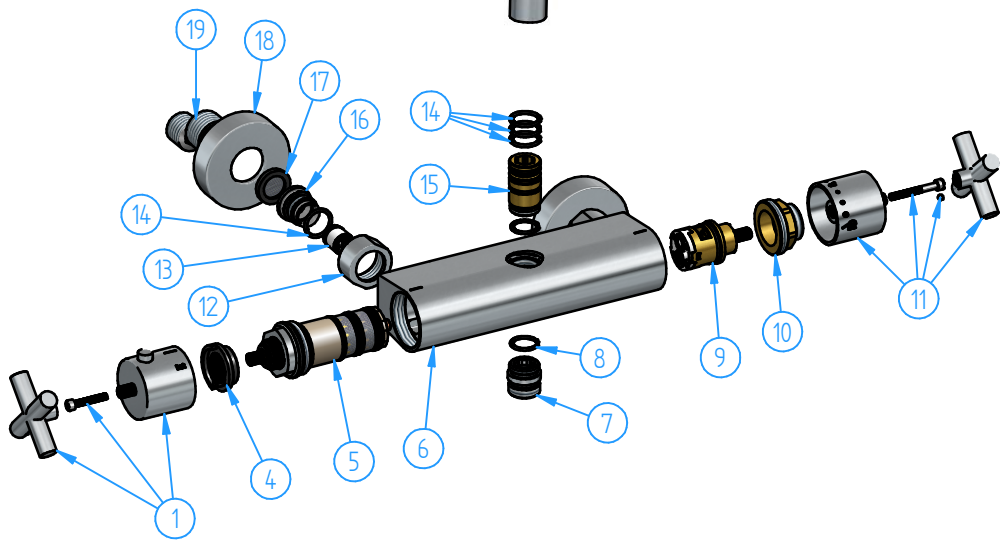


4	GL431-04	Pin for wall bracket	1
3	GL431-17	Dowel M3x4 UNI 5923	1
2	M431-22	O.ring 23.52x1.78	1
1	GL431-02	Wall bracket body	1
ID Nr	Code	Description	Pcs



15	GL431-23	Plastic insert	1
14	GL431-22	Handle body	1
13	GL431-15	Dowel M4x8 - UNI 5923	1
12	GL431-14	Handle	1
11	M307-31	Pushrow	1
10	GL431-21	Lateral nut	1
9	GL431-19	Sliding body	1
8	M307-22	Dowel	1
7	GL431-20	Holder for bracket	1
6	GL431-25	Anti-friction ring	1
5	M307-19	Handshower bracket	1
4	M514-07	Scratch-resistant plastic insert	1
3	M432-08	Stainless steel washer ø10x5 h1 mm	1
2	M307-18	Anti-friction for screw	1
1	GL431-26	Screw M5x28	1
ID Nr	Code	Description	Pcs



34	M017-00	Flexible hose (for finishes : BBP/BCP and TB in Guy range)	1
33	M354-00	Hand shower	1
32	M015-00	Flexible hose	1
31	M100-00	Showerhead ø 200 mm	1
30	M432-001	Adjustable column	1
29	M432-003	Wall bracket	1
28	M432-002	Fixing kit and allen wrench	1
27	GL431-14	Handle	1
26	GL431-15	Dowel M4x8 - UNI 5923	1
25	GL431-08	Handle body	1
24	GL077-07	O.ring 20.29 x 2.62	1
23	GL431-16	Upper plastic insert	1
22	GL431-003	Wall bracket set	1
21	GL431-002	Sliding for handshower	1
20	M432-01	Fixed column	1
19	CB008-04	3/4"-1/2" Union	2
18	CB008-03	Flange	2
17	CB008-06	Washer with filter	2
16	CB008-07	Nut for 3/4" cap	2
15	CB016-02	Connection for column	1
14	CB008-08	O.ring 17x2	5
13	CB008-002	Check valve	2
12	CB008-05	3/4" nut	2
11	C016-002	Diverter handle set	1
10	CB016-04	Locking Nut	1
9	B016-001	2-Ways diverter cartridge	1
8	BR005-16	O.ring 15,60x1.78	2
7	CB008-02	1/2" nut	1
6	CB016-10	Thermomixer body	1
5	CB008-001	Thermostatic cartridge	1
4	HBCB7001-01	Stop ring	1
1	C008-003	Thermostatic handle set	1
ID	Code	Description	Pcs

		Sheet <b>1 of 3</b>	
N°	REVIEW	Date	Scale <b>1:5</b>
Description			Material
Shower set, with wall-mounted thermostatic mixer, 20 cm shower head, hand shower and flexible hose			Weight 0 kg
Code <b>SDSCH9-00</b>	Date of issue 25/05/2026	Chamfers not quoted 0.5x45°	
<small>This drawing is property reserved of Hotbath Srl. Without express authorization, the copying, distribution and utilization of this document as well as the communication to others is prohibited.</small>			