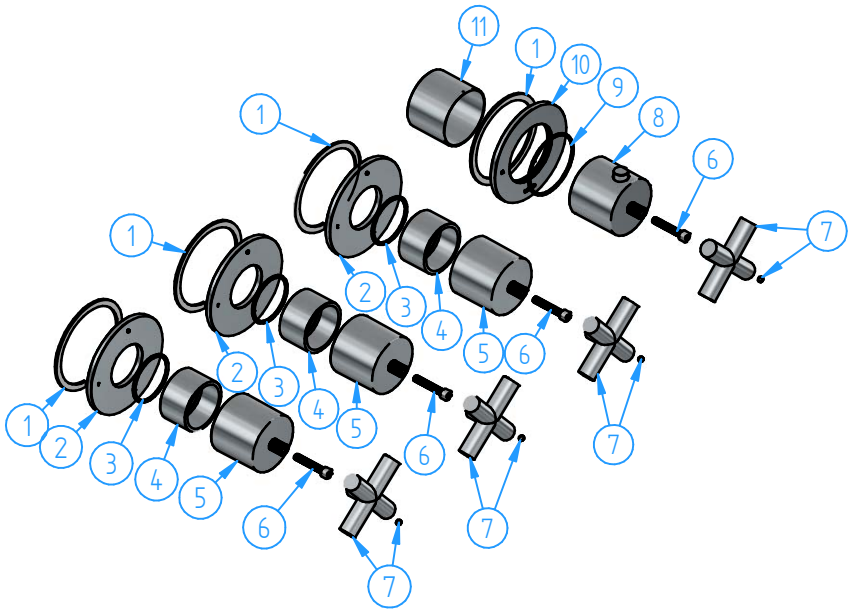
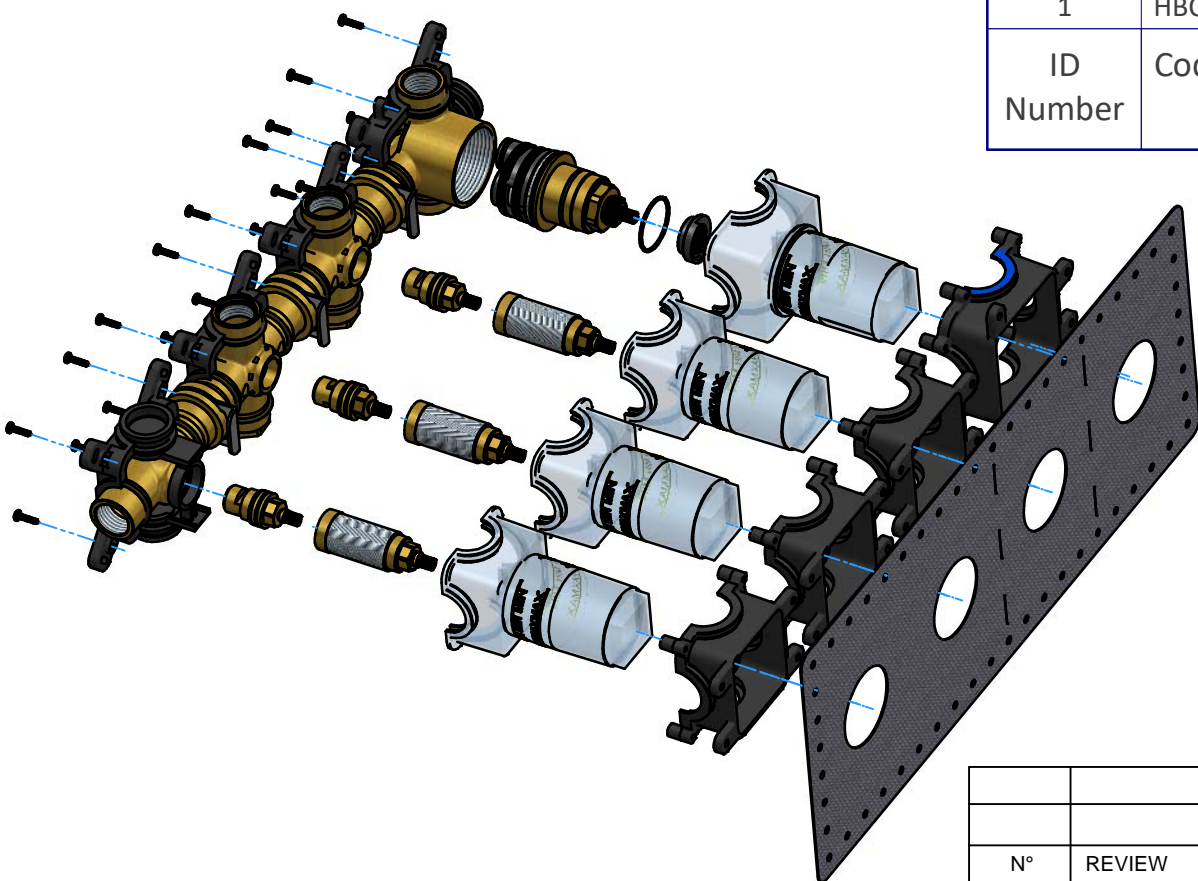


2	C7070EXT-00	External parts for C7070	1
1	HBCB7070-00	Concealed set for CB7070-AR7070-GY7070-C7070	1
ID Number	Code	Description	Pcs



11	CB7001-02	Cover	1
10	CB7001-01	Wall flange	1
9	CB7001-03	O.ring 40x2	1
8	C7001-001	Thermostatic handle set	1
7	C7001-002	Cross handle set	4
6	C7001-04	Screw M4x25	4
5	C7068-01	Handle body for stop valve/diverter	3
4	CB7068-07	Locking nut for wall flange	3
3	CB7068-06	O.ring 31.47x1.78	3
2	CB7068-02	Wall flange	3
1	CB7068-09	Washer for flange	4
ID Number	Code	Description	Pcs



7	HBCB7070-01	Wall gasket	1
6	HBCB7001-01	Stop ring	1
5	HBCB7001-02	O.ring 34.65x1.78	1
4	HBCB7001-001	Thermostatic cartridge (with stop valves and filters)	1
3	HBCB7068-002	Extension for headwork	3
2	HBCB7068-003	Ceramic headwork	3
1	HBCB7070-002	Preassembled set for HBCB7070	1
ID Number	Code	Description	Pcs

		Sheet 1 of 3	
N°	REVIEW	Date	Scale 1:5
Description			Material
Concealed thermostatic shower mixer, with 3 stop valves			Weight 0 kg
Code C7070-00	Date of issue 14/07/2025	Chamfers not quoted 0.5x45°	
<small>This drawing is property reserved of Hotbath Srl. Without express authorization, the copying, distribution and utilization of this document as well as the communication to others is prohibited.</small>			