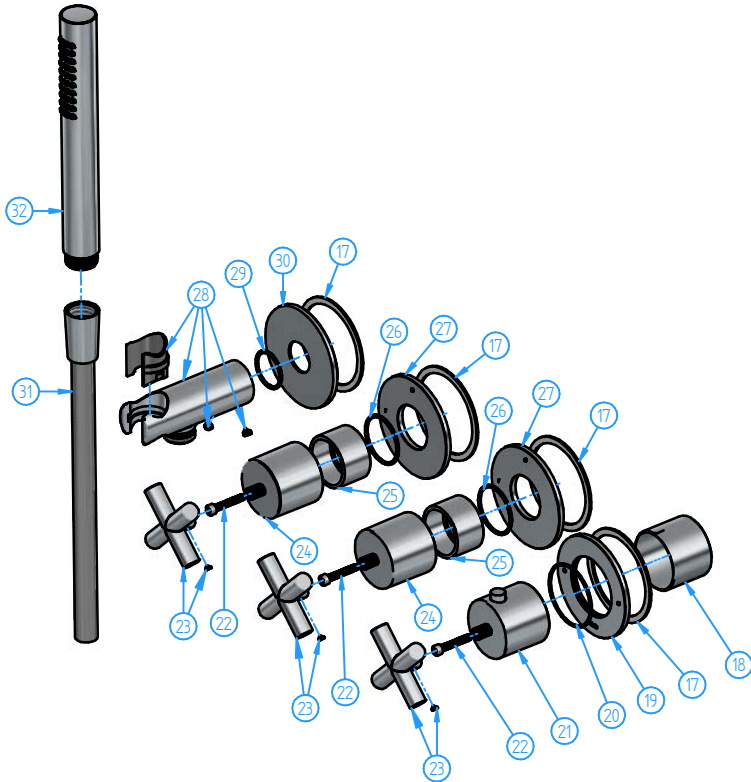
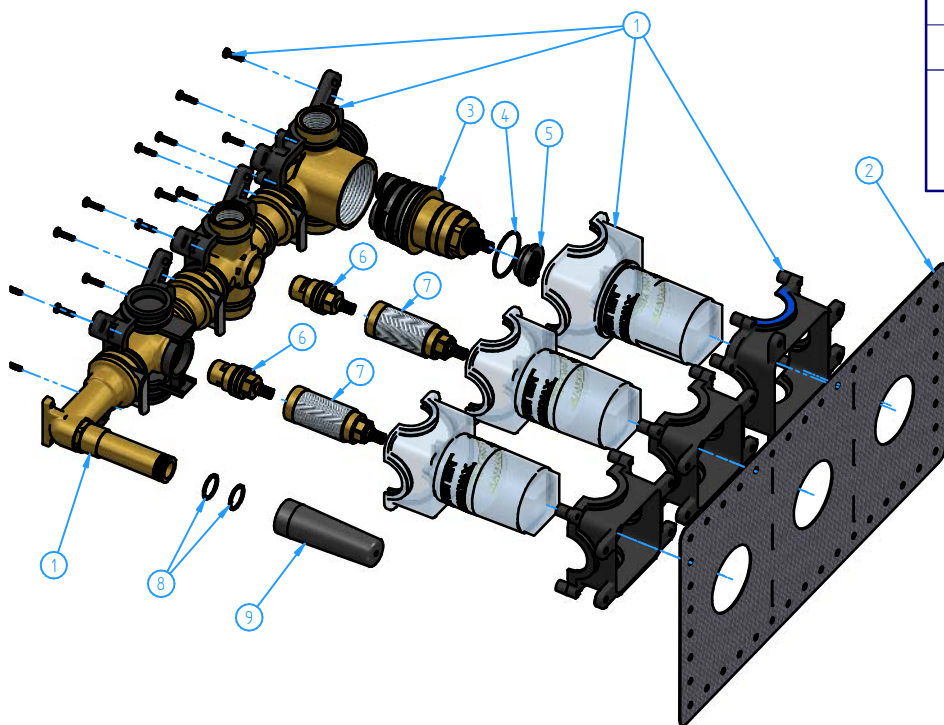


2	C7071EXT-00	External parts for C7071	1
1	HBCB7071-00	Concealed parts for CB7071-CX7071-CW7071-GL7071-AR7071-GY7071-C7071	1
ID Number	Code	Description	Pcs



32	M354-00	Hand shower	1
31	M015-00	Flexible hose	2
30	CB7501-01	Wall flange	1
29	CB7501-05	O.ring 23.52x1.78	1
28	CB7501-001	Wall coupling with hand shower bracket	1
27	CB7068-02	Wall flange	2
26	CB7068-06	O.ring 31.47x1.78	2
25	CB7068-07	Locking nut for wall flange	2
24	C7068-01	Handle body for stop valve/diverter	2
23	C7001-002	Cross handle set	3
22	C7001-04	Screw M4x25	3
21	C7001-001	Thermostatic handle set	1
20	CB7001-03	O.ring 40x2	1
19	CB7001-01	Wall flange	1
18	CB7001-02	Cover	1
17	CB7068-09	Washer for flange	4
ID Number	Code	Description	Pcs



9	HBCB7071-01	Protection cover	1
8	CB7501-06	O.ring 17.17x1.78	2
7	HBCB7068-002	Extension for headwork	2
6	HBCB7068-003	Ceramic headwork	2
5	HBCB7001-01	Stop ring	1
4	HBCB7001-02	O.ring 34.65x1.78	1
3	HBCB7001-001	Thermostatic cartridge (with stop valves and filters)	1
2	HBCB7066-01	Wall gasket	1
1	HBCB7071-006	Preassembled set for HBCB7071	1
ID Number	Code	Description	Pcs

		Sheet 1 of 3	
01	New model of box	01/09/22	Scale 1:5
N°	REVIEW	Date	
Description			Material
Concealed thermostatic mixer for bathtub, with 2 stop valves and hand shower			Weight 0 kg
Code C7071-00	Date of issue 06/02/2025	Chamfers not quoted 0.5x45°	
<small>This drawing is property reserved of Hotbath Srl. Without express authorization, the copying, distribution and utilization of this document as well as the communication to others is prohibited.</small>			